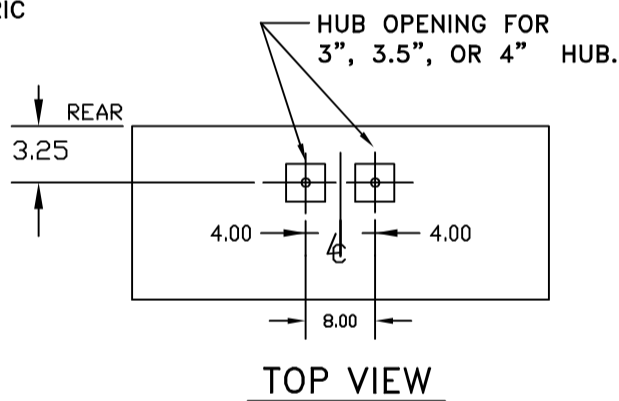
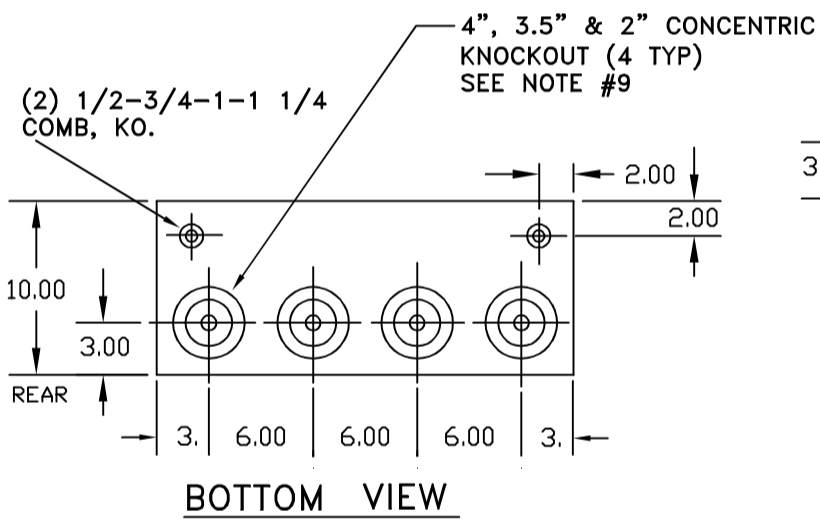
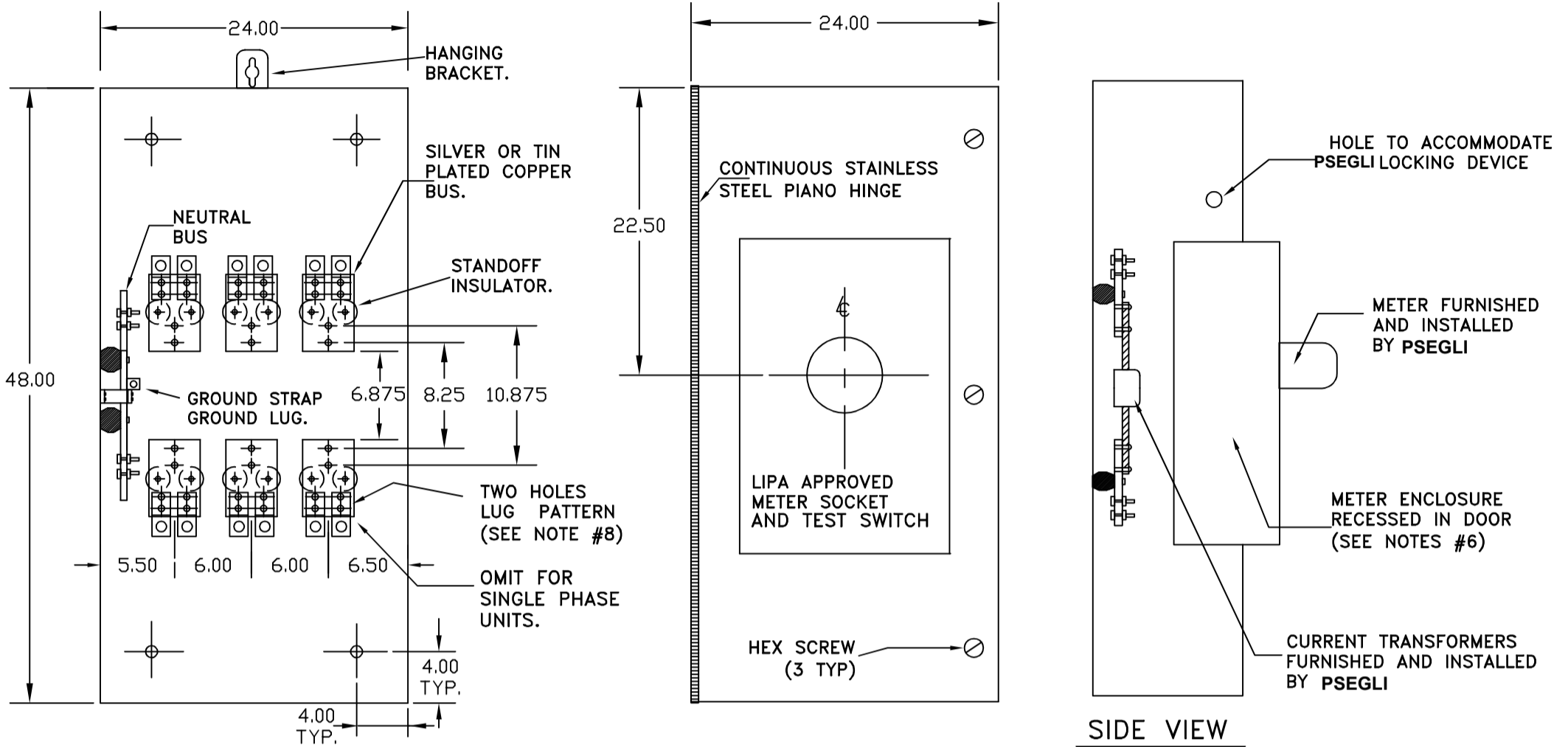


PSEG LONG ISLAND 800 AMPERE TRANS "S"

CURRENT TRANSFORMER CABINET (NEMA 3R)
400AMP. 600AMP. & 800AMP., 600V A.C MAX. RATED



CATALOG NUMBERS

8CT-1L	(SINGLE PHASE)
8CT-3L	(THREE PHASE)
R8CT-1L	(SINGLE PHASE)
R8CT-3L	(THREE PHASE)
MS7P-1L	(SINGLE PHASE)
MS10P-3L	(THREE PHASE)

UL FILE # E146201 AND # E31574

- CABINET SHALL BE RATED NEMA 3R AND SHALL BE CONSTRUCTED FROM CODE GAUGE GALVANIZED OR GALVANNEALED STEEL.
- BUS BAR SHALL BE SILVER OR TIN PLATED AND SHALL BE SIZED PER THE NEC.
- BUS BAR SHALL BE MOUNTED IN THE CABINET BY MEANS OF STANDOFF INSULATORS OR INSULATED MOUNTING BRACKETS. INSULATING MATERIAL SHALL CONFORM TO THE APPLICABLE SECTIONS OF UL 746 AND UL 94. CABINET SHALL BE UL & PSEGLI APPROVED.
- THE RIGHT HAND SIDE OF THE CABINET SHALL ALLOW FOR LINE AND LOAD CABLES TO ENTER AND EXIT THROUGH THE BOTTOM OF THE CABINET. THIS SPACE SHALL ALLOW FOR THE CABLES TO MEET THE MINIMUM BENDING RADIUS TO NEAREST PHASE OR NEUTRAL BUS AS PER THE NEC.
- THE SHORT CIRCUIT WITHSTAND CAPABILITY OF THE CABINET ASSEMBLY SHALL BE A MAXIMUM OF 50,000 RMS SYMMETRICAL AMPS.
- METERING COMPARTMENT TO BE TOTALLY ISOLATED FROM C.T. COMPARTMENT FOR "REMOTE" USE CAT. NO. R8CT-1L WITH MS7P-1L OR R8CT-3L WITH MS10P-3L.
- MANUFACTURER SHALL FURNISH AND INSTALL 1/2-13 STUDS WITH SPLIT LOCK WASHERS AND HEX NUTS FOR C.T. MOUNTING.
- USE ONLY MANUFACTURER'S APPROVED LUGS PROVIDED. 2 LUGS / TERMINAL, EACH RATED FOR (1) 600 MCM- #4 OR (2) 250 MCM- #4 CABLE
- ONLY FACTORY PREFABRICATED KNOCKOUTS ON THE ENCLOSURE SHALL BE USED.**
- PROVIDE PREWIRED TRANS "S" UNIT IN ACCORD WITH PSEG LONG ISLAND CONSTRUCTION STANDARD: #8908A - FOR SINGLE PHASE, 3 WIRE FORM 4S, OR CONSTRUCTION STANDARD #8509A FOR 3 PHASE, 4 WIRE WYE FORM 9S METER SOCKET.

SUPERIOR ELECTRICAL ENCLOSURE INC.
DBA: Delta Standard Products

16 SPENCER ST. BROOKLYN, N.Y. 11205
PHONE: 718-797-9090 FAX: 718-797-9099
e-mail: info@superioree.com

TITLE:
**PSEG LONG ISLAND
800 AMP, TRANS "S"**

DATE:
3/10/15

DWG. NO.:
FL-100A0100-SEE