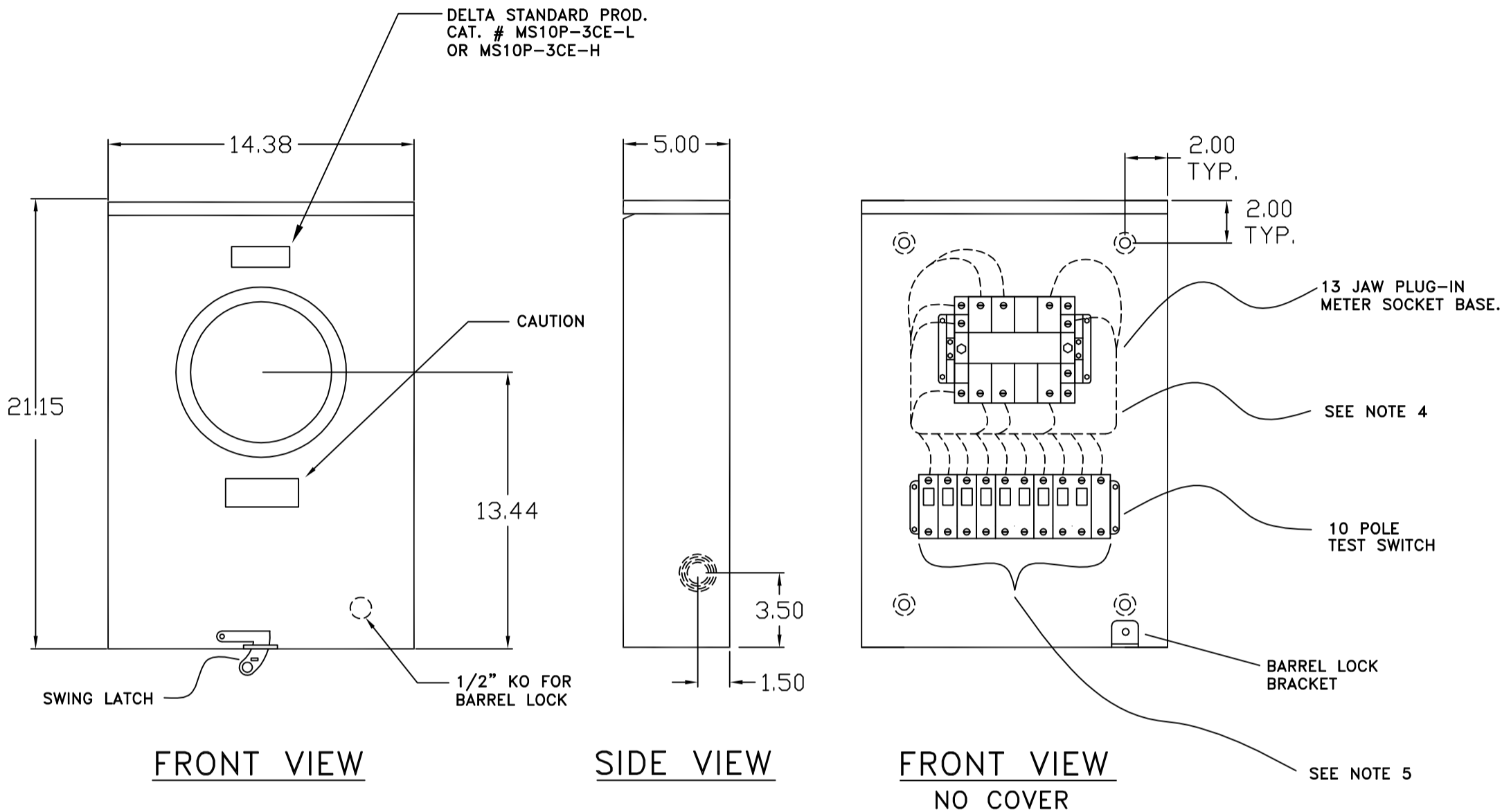


# CON EDISON "S" PLUG-IN METER SOCKET AND TEST SWITCH

30 AMP. CONTINUOUS, 240V & 480V AC RATED (NEMA 3R)



FRONT VIEW

SIDE VIEW

FRONT VIEW  
NO COVER

BOTTOM VIEW

N.Y.C. CALENDAR # 41341  
U.L. FILE # E31574

## CATALOG NUMBERS

**MS10P-3CE-L** (LOW VOLT.)  
**MS10P-3CE-H** (HIGH VOLT.)

1. CABINET SHALL BE RATED NEMA 3R AND SHALL BE CONSTRUCTED FROM CODE GAUGE GALVANIZED OR GALVANNEALED STEEL.
2. FOR REMOTE: USE CAT. NO. R8CTS-3CE-L OR R4CTS-3CE-L WITH MS10P-3CE-L.  
USE CAT. NO. R8CTS-3CE-H OR R4CTS-3CE-H WITH MS10P-3CE-H.  
IN ACCORD WITH MES #195, MES #751, MES #755 AND MES #757.
3. **ONLY FACTORY PREFABRICATED KNOCKOUTS ON THE ENCLOSURE SHALL BE USED.**
4. PROVIDED PREWIRED FROM TEST SWITCH TO METER BASE IN ACCORD WITH MES #195, EXCEPT AS NOTED IN MES #751, FOR FORM 9S METER SOCKET.
5. WIRE PROVIDED AND INSTALLED BY CONTRACTOR.

**SUPERIOR ELECTRICAL ENCLOSURE INC.**  
**DBA: Delta Standard Products**

16 SPENCER ST. BROOKLYN, N.Y. 11205  
PHONE: 718-797-9090 FAX: 718-797-9099  
e-mail: [Info@SuperiorEE.com](mailto:Info@SuperiorEE.com)

TITLE:  
CON EDISON - TYPE "S"  
METER SOCKET & TEST SW.

DATE:  
4/30/12

DWG. NO.:  
200A0058-CES-SEE