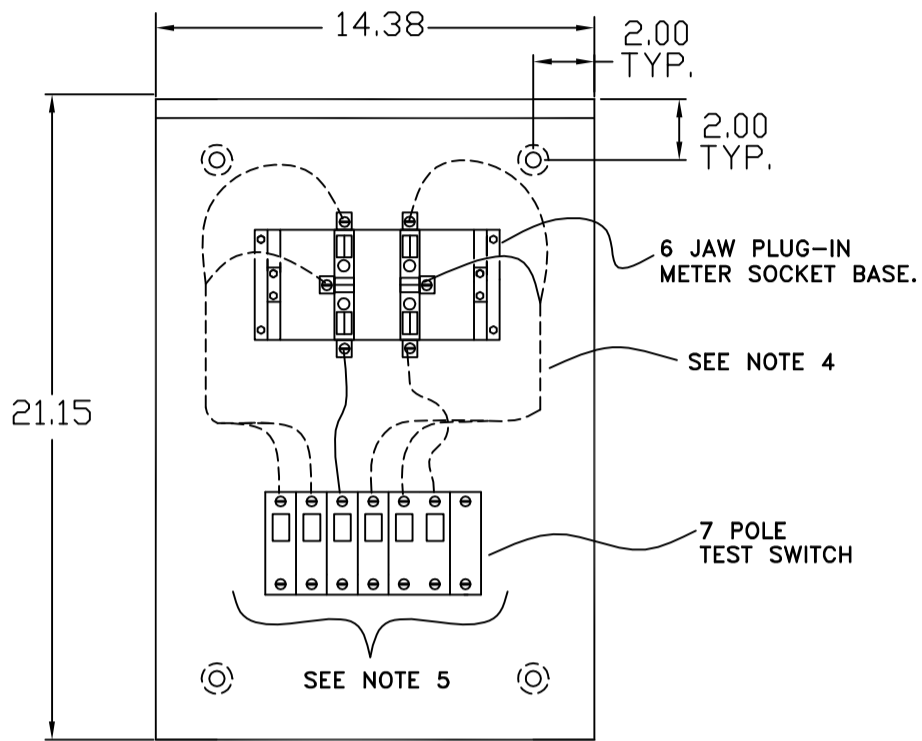


ORANGE & ROCKLAND METER SOCKET AND TEST SWITCH (1 AND 3 PHASE)

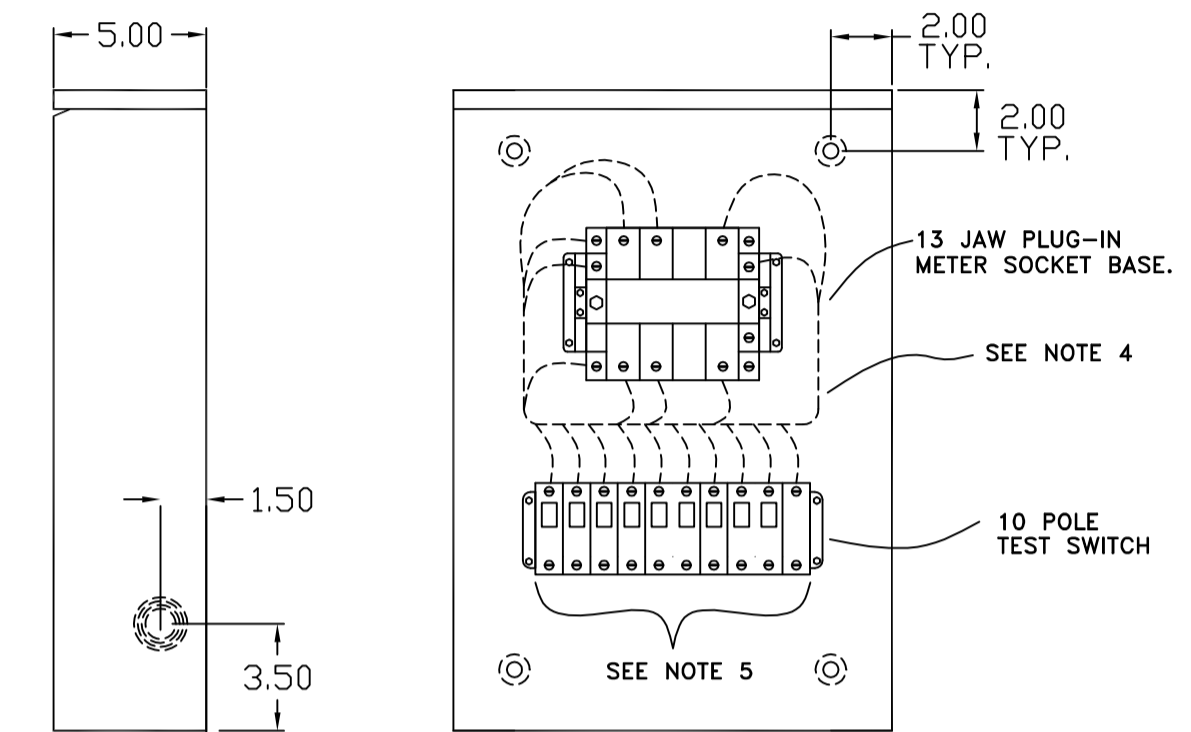
30 AMP. CONTINUOUS, 240V AC RATED (NEMA 3R)

SINGLE PHASE



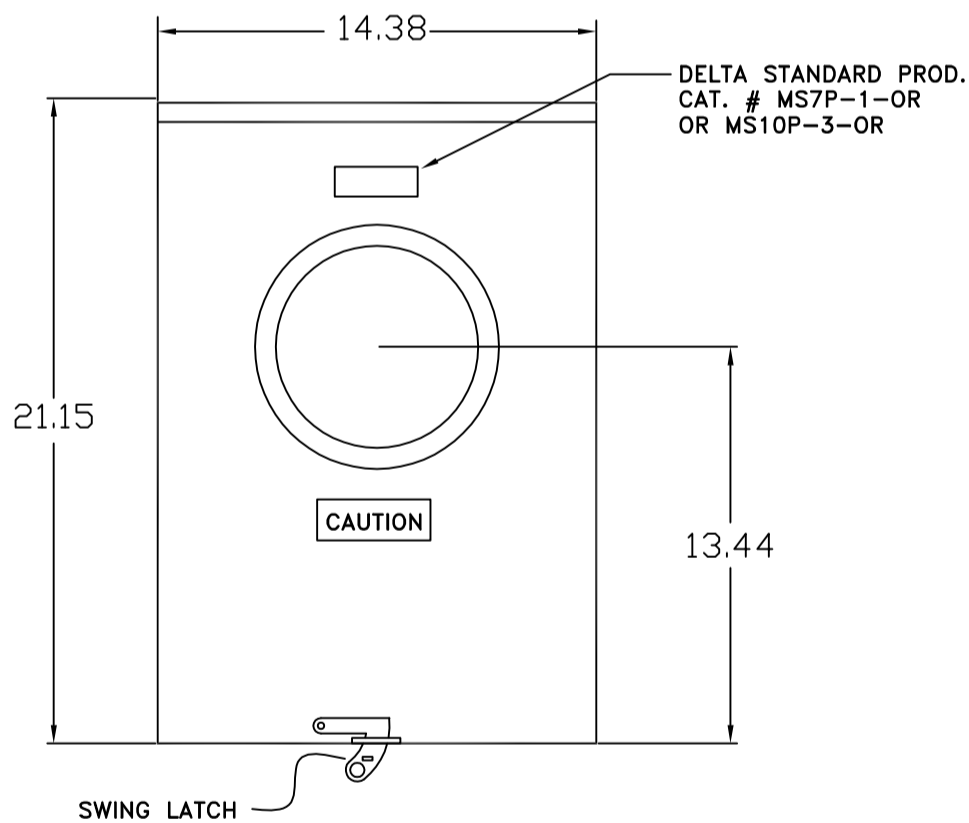
FRONT VIEW - NO COVER
FOR MS7P-1-OR

THREE PHASE

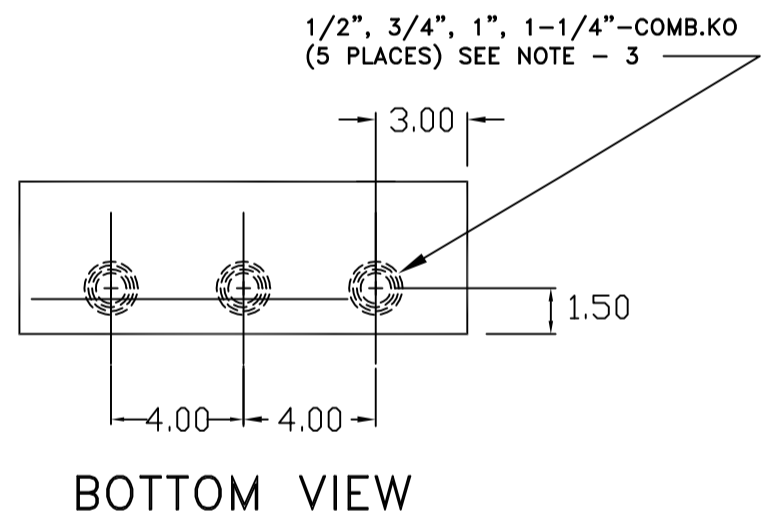


SIDE VIEW

FRONT VIEW - NO COVER
FOR MS10P-3-OR



TYPICAL FRONT VIEW



BOTTOM VIEW

U.L. FILE # E31574

CATALOG NUMBERS

MS7P-1-OR
MS10P-3-OR

- CABINET SHALL BE RATED NEMA 3R AND SHALL BE CONSTRUCTED FROM CODE GAUGE GALVANIZED OR GALVANEAELED STEEL.
- FOR REMOTE: USE CAT. No. R8CT-1-OR or R4CT-1-OR WITH MS7P-1-OR
USE CAT. No. R8CT-3-OR or R4CT-3-OR WITH MS10P-3-OR
- ONLY FACTORY PREFABRICATED KNOCKOUTS ON THE ENCLOSURE SHALL BE USED.**
- PROVIDED PREWIRED METER SOCKET AND TEST SWITCH IN ACCORDANCE WITH ORANGE & ROCKLAND SPECIFICATIONS.
CONTACT YOUR LOCAL NEW BUSINESS GROUP FOR INSTALLATION.
- WIRE PROVIDED AND INSTALLED BY CONTRACTOR.
- THESES DEVICES MAY BE UTILIZED ON 240 VOLT SERVICE & 4 WIRE DELTA SERVICES ONLY.

SUPERIOR ELECTRICAL ENCLOSURE INC.
DBA: Delta Standard Products

16 SPENCER ST. BROOKLYN, N.Y. 11205
PHONE: 718-797-9090 FAX: 718-797-9099
e-mail: Info@SuperiorEE.com

TITLE:
ORANGE & ROCKLAND TYPE 'S'
- METER SOCKET & TEST SWITCH
(1 and 3 PHASE)

DATE: 4/30/12 DWG. NO.: FL-200A0240V-OR-SEE